

Fluid-o-Tech DGD09 series DC direct drive pump/motor unit



The DGD09 series direct drive gear pumps derive from the well established mag drive MG200 series.

Built to handle clean water and relatively viscous fluids at low pressure, the DGD09 series pump-motor unit has low pulsation and is capable of handling fluids at a maximum temperature of 70 °C (158 °F).

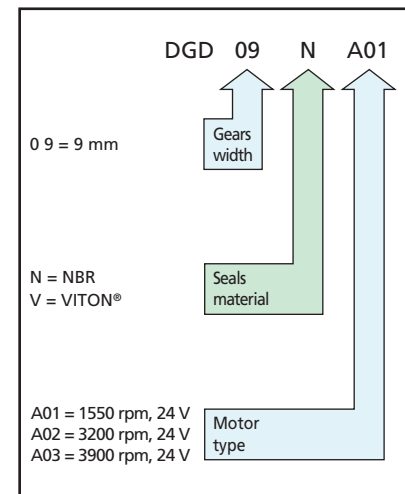
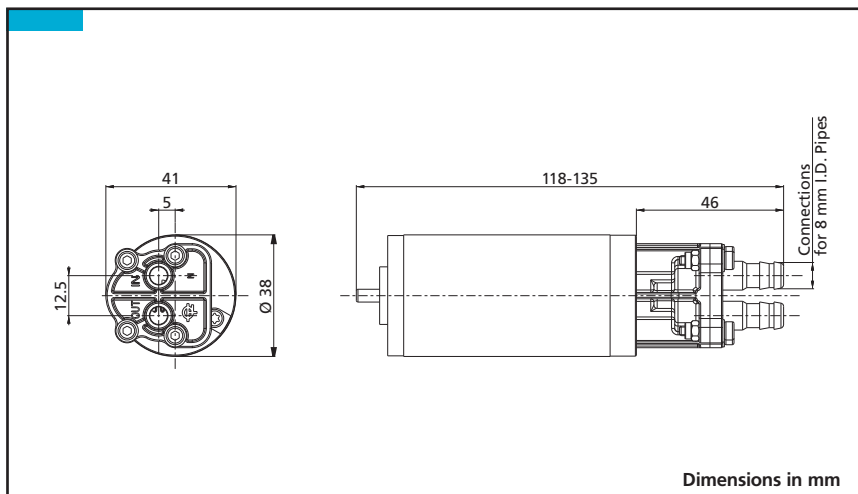
The pump housing and the gears are made of Vectra. Seals are available in NBR or VITON®. The extreme compactness of its design makes it the preferred choice where space is limited. Suction/discharge ports are 8 mm barbed end.



Motor type:

- 1550 rpm, 24 V DC brush type
- 3200 rpm, 24 V DC brush type
- 3900 rpm, 24 V DC brush type

DGD09

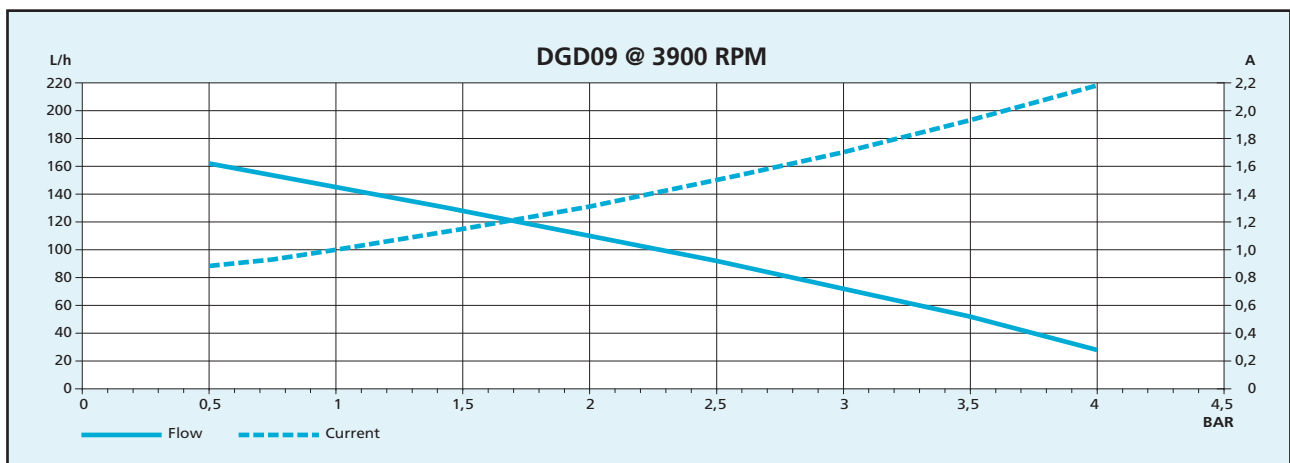
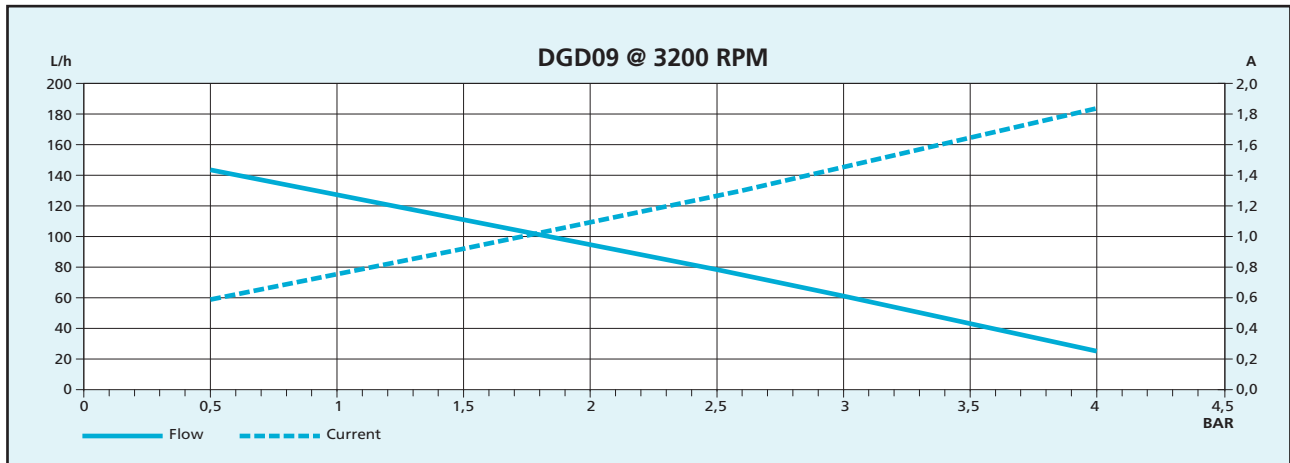
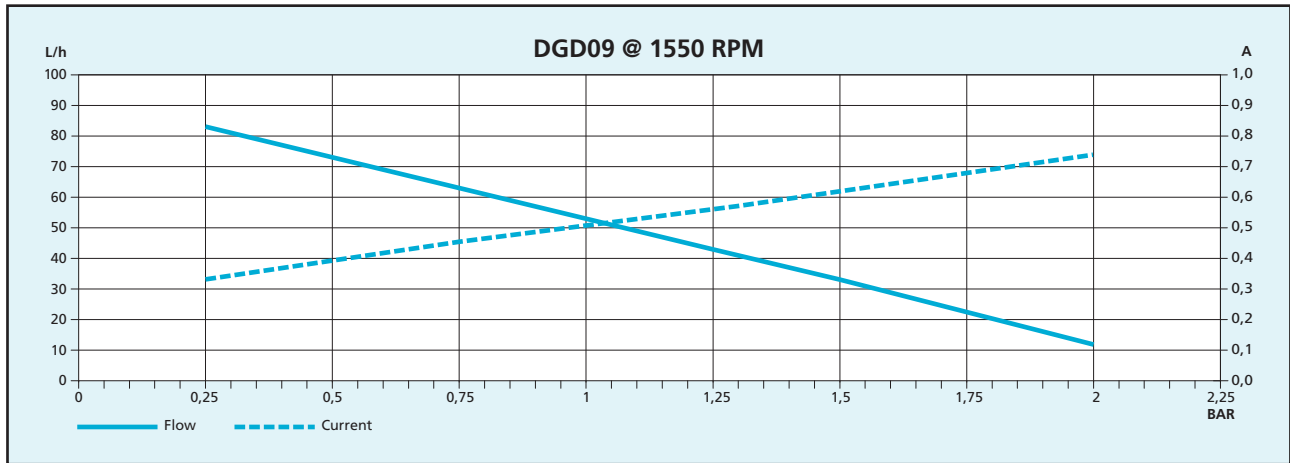


Main applications

- Water purification
- Laser cooling
- Spraying
- Water recirculation
- Condensation removal
- Syrup dispensing
- Vending machines
- Food processing
- Digital macro printing

Fluid-o-Tech DGD09 series

DC direct drive pump/motor unit



Characteristics with water at 20 °C (68 °F). For applications involving other fluids, high temperatures or unusual processing conditions, please consult the factory or an authorized Fluid-o-Tech distributor. Weight: 0,36 kg (0,79 Lbs).

Fluid-o-Tech reserves the right to alter the specifications indicated in this catalogue at any time and without prior notice.

DGD09 – 03/09 Ed.

Fluid-o-Tech srl
Via Leonardo da Vinci, 40
20094 Corsico, Milano, Italy
Tel. +39 02 8917071
Fax +39 02 89170799

Fluid-o-Tech Int'l Inc.
161 Atwater St.,
Plantsville CT (USA) 06479
Tel. +1 (860) 276-9270
Fax +1 (860) 620-0193

Fluid-o-Tech Int'l Inc. Japan
203, 2-17-19, Ebara, Shinagawa
Tokyo 142-0063, Japan
Tel. +81 (0) (3) 3783-9660
Fax +81 (0) (3) 3783-9661

Fluid-o-Tech Asia (Beijing) Co., Ltd
Jingwei Industrial Zone,
Beifang Huairou, Beijing, 101400, PRC
Tel. +86 (0) (10) 61684650
Fax +86 (0) (10) 61684651